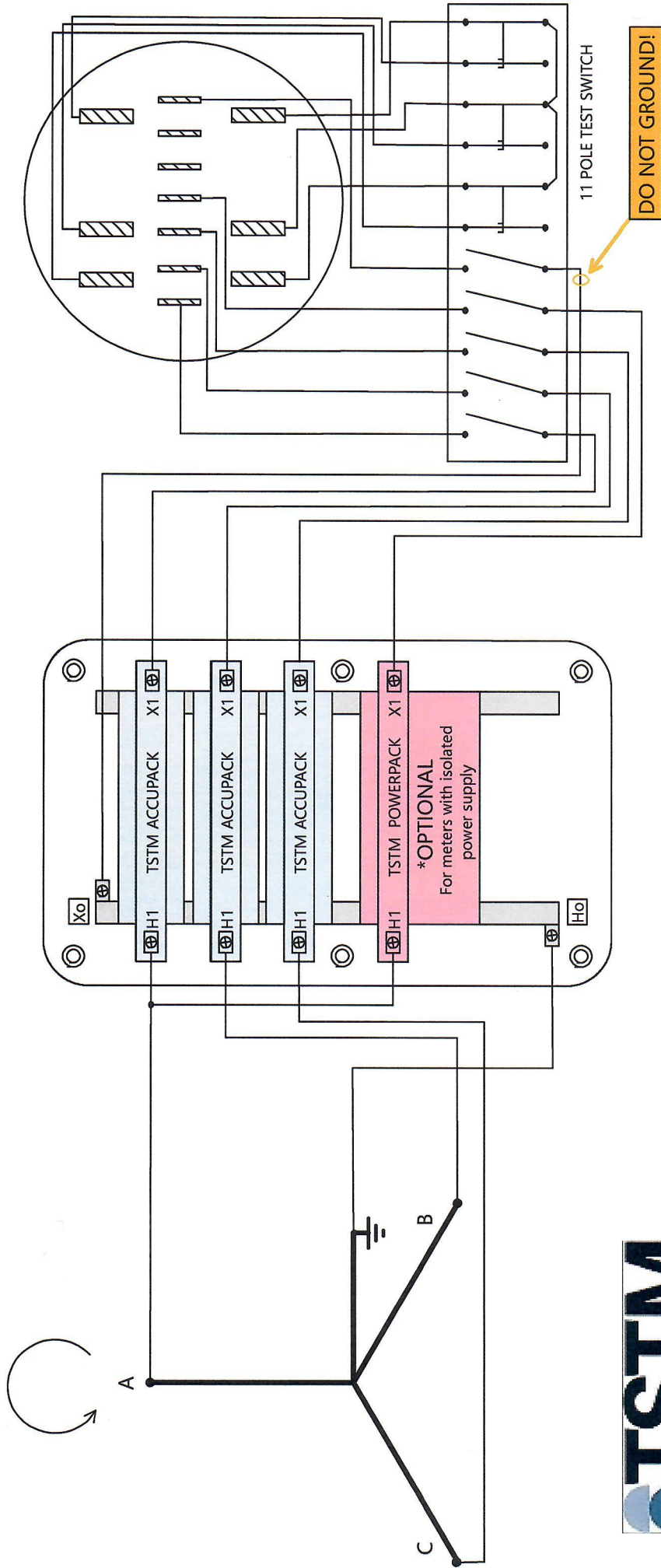


PATENTED

APPLICATION: 4 WIRE WYE

SERVICE VOLTAGE : 480/277; 416/240; 600/347; 830/480



Service Voltages and Suggested Ratios	
480/277	2.5:1 or 2.4:1
416/240	2:1
600/347	3:1
830/480	4:1
POWERPACK RATIO 2:1	

DIAGRAM 3C	REV. 10.02
*FORM 109S	CL20
WIDE VOLTAGE RANGE METER	
FILE NAME: 4WY_480_ACCUP	
DRAWN BY: JP	
DATE: 07242020	
*OR MODIFIED FORM 9S	
PATENTED	



CT CIRCUITS OMITTED FOR CLARITY

PATENTED