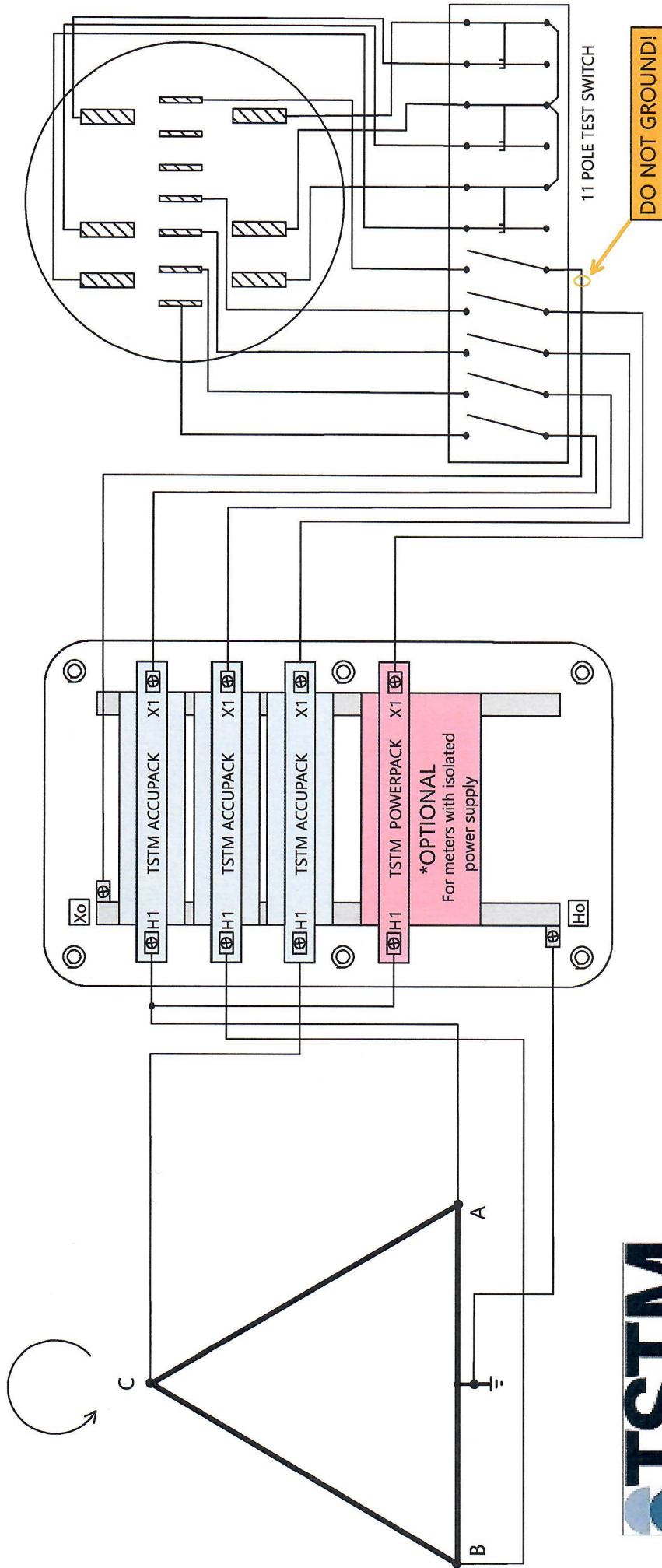


**PATENTED**

# APPLICATION: 4 WIRE DELTA

SERVICE VOLTAGE : 480/240



Service Voltages and Suggested Ratios  
 480/240 2:1  
 POWERPACK RATIO 2:1

DIAGRAM 8C REV. 10.02  
 \*FORM 109S CL20  
 WIDE VOLTAGE RANGE METER  
 FILE NAME: 4WD\_480\_ACCUP  
 DRAWN BY: JP  
 DATE: 07242020  
 \*OR MODIFIED FORM 9S  
 PATENTED

CT CIRCUITS OMITTED FOR CLARITY

**PATENTED**